

GLOBE VALVES



G.M. Gun Metal
S.S. Stainless Steel
M.B. Manganese Bronze

C.I. Cast Iron
C.S. Cast Steel

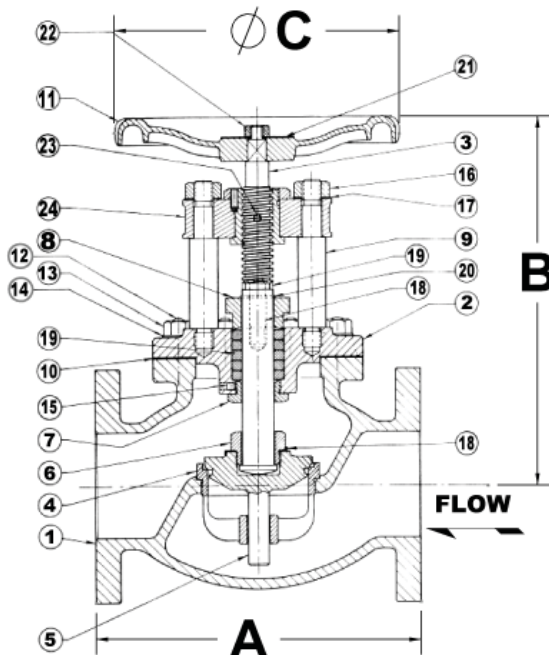
A
9

INDEX OF ILLUSTRATED VALVES & EQUIVALENTS IN VARIOUS MATERIALS



MULTI-PURPOSE STRAIGHT PATTERN GLOBE VALVES	End Connections	Body & Bonnet	Screwed Bonnet	Bolted Bonnet	Seat Material	Disc	Spindle	Inside Screw	Outside Screw	Rating		
										Working pressure	Max Temp	Working pressure at max temp.
										kPa psi	°C °F	kPa psi
1671A CAST STEEL	ANSI 150	CS		✓	SS	SS	SS		✓	1960 284	425 797	550 79
1672 CAST STEEL	B.S.T. H	CS		✓	SS	SS	SS		✓	3500 507	475 887	900 130
1673A CAST STEEL	ANSI 300	CS		✓	SS	SS	SS		✓	5110 741	425 797	2880 417
1691 STAINLESS STEEL	B.S.T F	SS		✓	SS	SS	SS		✓	2100 305	425 797	1000 145
1691A STAINLESS STEEL	ANSI 150	SS		✓	SS	SS	SS		✓	1900 275	538 1000	140 20
1692 STAINLESS STEEL	B.S.T. H	SS		✓	SS	SS	SS		✓	3500 507	475 887	900 130
1693A STAINLESS STEEL	ANSI 300	SS		✓	SS	SS	SS		✓	4960 719	538 1000	2520 365

SIZE (MM)	15	20	25	32	40	50	65	80	100	125	150	200	250	300
DIMENSIONS (MM)														
A	-	-	-	-	222	260	276	279	316	410	483	576	664	711
B	172	172	197	203	242	271	310	333	410	465	520	630	685	865
Ø C	81	81	81	81	155	155	232	232	283	359	359	508	508	762



Globe Valve, straight pattern, bolted bonnet, outside screwed spindle and bridge, renewable stainless steel seat, disc and spindle.

PARTS LIST.

- | | |
|-----------------|-------------------|
| 1. Body | 14. Washer |
| 2. Bonnet | 15. Grub Screw |
| 3. Spindle | 16. Nut |
| 4. Seat | 17. Washer |
| 5. Disc Holder | 18. Tab Washer |
| 6. Valve Screw | 19. Packing |
| 7. Spindle Bush | 20. Circlip |
| 8. Gland | 21. Name Plate |
| 9. Column | 22. Nut |
| 10. Gasket | 23. Grease Nipple |
| 11. Handwheel | 24. Bridge |
| 12. Engn Stud | |
| 13. Hex Nut | |

Mack Valves Head Office
 30 Burgess Road
 BAYSWATER, VIC 3153
 Tel: (03) 9737 5200
 Fax: (03) 9720 1344
 Email: enquiries@mackvalves.com.au

Mack Valves NSW Office
 Unit 9/9-11 Abel Street
 Penrith NSW 2750
 Tel: (02) 4722 6033
 Fax: (02) 4722 6144
 Email: enquiries.nsw@mackvalves.com.au

Mack Valves SA Office
 204 Prospect Road
 Prospect SA 5082
 Tel: (08) 8269 6477
 Fax: (08) 8344 5934
 Email: enquiries.sa@mackvalves.com.au