



CHECK VALVES

B
20

G.M. Gun Metal
S.S. Stainless Steel
M.B. Manganese Bronze

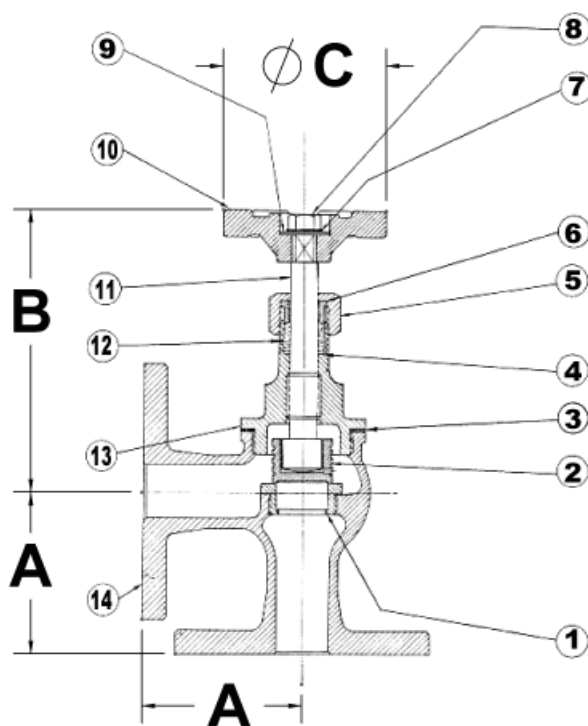
C.I. Cast Iron
C.S. Cast Steel

INDEX OF ILLUSTRATED VALVES & EQUIVALENTS IN VARIOUS MATERIALS

CHECK VALVES ANGLE PATTERN CONTROLLABLE LIFT	End Connections	Body & Bonnet	Screwed Bonnet	Bolted Bonnet	Seat Material	Disc	Type	Bronze Liner & Piston	Rating		
									Working pressure	Max Temp	Working pressure at max temp.
									kPa psi	°C °F	kPa psi
4942 GUN METAL	Table H	GM		✓	SS	SS	SDNR		3500 507	250 482	1900 275
4943A GUN METAL	ANSI 300	GM		✓	SS	SS	SDNR		3447 500	232 449	1930 279

SIZE (MM)	15	20	25	32	40	50
DIMENSIONS (MM)						
A	79	79	78	87	89	105
B	133	133	140	159	197	215
∅ C	70	70	90	108	102	135

Controllable Lift Check valve, angle pattern body, screwed bonnet, inside screwed spindle, renewable seat and disc, flanged ends.



PARTS LIST.

1. Seat
2. Piston
3. Gasket
4. Washer
5. Gland Nut
6. Gland
7. Washer
8. Nut
9. Nameplate
10. Handwheel
11. Spindle
12. Packing
13. Bonnet
14. Body