

SAFETY/RELIEF VALVES



G.M. Gun Metal
S.S. Stainless Steel
M.B. Manganese Bronze

C.I. Cast Iron
C.S. Cast Steel

E
15

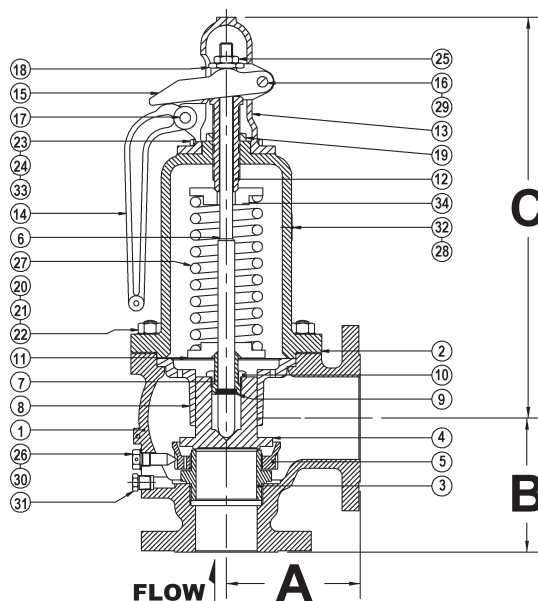
INDEX OF ILLUSTRATED VALVES & EQUIVALENTS IN VARIOUS MATERIALS



RELIEF VALVES	End Connections	Inlet Flange	Outlet Flange	Body & Spring Cover	Screwed Cover	Bolted Cover	Seat	Disc	Spindle	Spring	Rating	
											Max Inlet Pressure kPa psi	Max Temp °C °F
7671A CAST STEEL Flange Rating 1960 kPa	Flanged	ANSI 150	ANSI 150	CS	15-40mm	50-150mm	SS	SS	MB		15mm - 8620 kPa 1250 psi	232 450
7672 CAST STEEL Flange Rating 3500 kPa	Flanged	B.S.T H	B.S.T E	CS	15-40mm	50-150mm	SS	SS	MB		20mm - 9930 kPa 1440 psi	232 450
7673A CAST STEEL Flange Rating 5110 kPa	Flanged	ANSI 300	ANSI 150	CS	15-40mm	50-150mm	SS	SS	MB		25mm - 6441 kPa 934 psi	232 450
7691A STAINLESS STEEL Flange Rating 1900 kPa	Flanged	ANSI 150	ANSI 150	SS	15-40mm	50-150mm	SS	SS	SS		32mm - 4765 kPa 691 psi	232 450
7692 STAINLESS STEEL Flange Rating 3500 kPa	Flanged	B.S.T H	B.S.T E	SS	15-40mm	50-150mm	SS	SS	SS		40mm - 5880 kPa 852 psi	232 450
7693A STAINLESS STEEL Flange Rating 4960 kPa	Flanged	ANSI 300	ANSI 150	SS	15-40mm	50-150mm	SS	SS	SS		50mm - 5080 kPa 852 psi	232 450
											65mm - 3080 kPa 446 psi	
											80mm - 4150 kPa 601 psi	
											100mm - 2725 kPa 395 psi	
											150mm - 1600 kPa 232 psi	

SIZE (MM)	15	20	25	32	40	50	65	80	100	150
DIMENSIONS (MM)										
A					108	127	146	164	183	240
B					108	114	140	165	156	218
C					305	364	453	494	510	735

Safety Valve, enclosed spring type, cast steel body, cast iron bolted spring cover, fitted with easing gear, lock up top, renewable stainless steel seat and disc, bottom inlet, side discharge.



Parts List.

- | | |
|----------------------|-----------------|
| 1. Body | 18. Spindle Nut |
| 2. Spring Cover | 19. Locknut |
| 3. Seat | 20. Nut |
| 4. Valve | 21. Bolt |
| 5. Blowdown Ring | 22. Washer |
| 6. Spindle | 23. Stud |
| 7. Spindle Sleeve | 24. Nut |
| 8. Guide | 25. Locknut |
| 9. Retaining Nut | 26. Lockscrew |
| 10. Nut | 27. Spring |
| 11. Guide Plate | 28. Nameplate |
| 12. Adjusting Screw | 29. Split Pin |
| 13. Lockup Top | 30. Gasket |
| 14. Lever | 31. Plug |
| 15. Forked Lever | 32. Drive Pin |
| 16. Forked Lever Pin | 33. Washer |
| 17. Lever Pin | 34. Spring Pad |

Mack Valves Head Office
 30 Burgess Road
 BAYSWATER, VIC 3153
 Tel: (03) 9737 5200
 Fax: (03) 9720 1344
 Email: enquiries@mackvalves.com.au

Mack Valves NSW Office
 Unit 9/9-11 Abel Street
 Penrith NSW 2750
 Tel: (02) 4722 6033
 Fax: (02) 4722 6144
 Email: enquiries.nsw@mackvalves.com.au

Mack Valves SA Office
 204 Prospect Road
 Prospect SA 5082
 Tel: (08) 8269 6477
 Fax: (08) 8344 5934
 Email: enquiries.sa@mackvalves.com.au