



Y TYPE STRAINERS

L
4

G.M. Gun Metal
S.S. Stainless Steel
M.B. Manganese Bronze

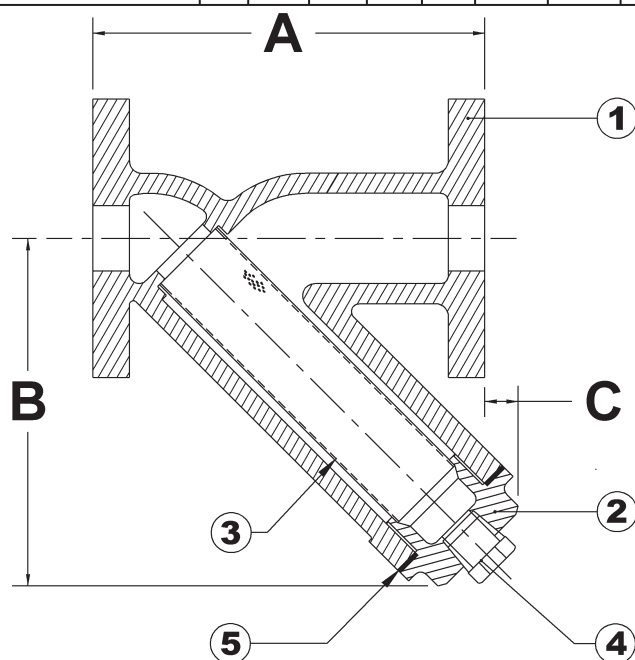
C.I. Cast Iron
C.S. Cast Steel

INDEX OF ILLUSTRATED VALVES & EQUIVALENTS IN VARIOUS MATERIALS



Y TYPE STRAINERS	End Connections	Body & Cover	Screwed Cover	Bolted Cover	Screen Material	Rating		
						Working pressure	Max Temp	Working pressure at max temp.
						kPa psi	°C °F	kPa psi
6760 CAST IRON	B.S.T E	CI	15- 50mm	65- 350mm	SS	1400 203	220 428	650 94
6761A CAST IRON	ANSI 150	CI	15- 50mm	65- 350mm	SS	1379 200	232 449	861 124
6763A CAST IRON	ANSI 300	CI	15- 50mm	65- 350mm	SS	3447 500	232 449	1723 249
6780 CAST STEEL	B.S.T E	CS	15- 50mm	65- 350mm	SS	1400 203	425 797	700 102
6781A CAST STEEL	ANSI 150	CS	15- 50mm	65- 350mm	SS	1960 284	425 797	550 79
6782 CAST STEEL	B.S.T H	CS	15- 50mm	65- 350mm	SS	3500 507	475 887	900 130
6783A CAST STEEL	ANSI 300	CS	15- 50mm	65- 350mm	SS	5110 741	425 797	2880 417

SIZE (MM)	15	20	25	32	40	50	65	80	100	200	250	300	350
DIMENSIONS (MM)													
A	152	-	152	191	191	229	248	314	356	648	556	997	1067
B	65	-	89	105	118	187	204	293	286	629	514	787	895
C	-	-	-	-	-	2	-	46	-	-	-	-	51



'Y' type, bronze body and screwed cap, fitted with drain plug, strainer basket of stainless steel sheet. Ends screwed BSP Female.

PARTS LIST.

1. Body
2. Cover
3. Screen
4. Plug
5. Gasket

NOTE: SCREWED COVER
SHOWN, ALSO AVAILABLE IN
BOLTED COVER.

Mack Valves Head Office
30 Burgess Road
BAYSWATER, VIC 3153
Tel: (03) 9737 5200
Fax: (03) 9720 1344
Email: enquiries@mackvalves.com.au

Mack Valves NSW Office
Unit 9/9-11 Abel Street
Penrith NSW 2750
Tel: (02) 4722 6033
Fax: (02) 4722 6144
Email: enquiries.nsw@mackvalves.com.au

Mack Valves SA Office
204 Prospect Road
Prospect SA 5082
Tel: (08) 8269 6477
Fax: (08) 8344 5934
Email: enquiries.sa@mackvalves.com.au