



# DIAPHRAGM VALVES

**M**  
**12**

**G.M. Gun Metal**  
**S.S. Stainless Steel**  
**M.B. Manganese Bronze**

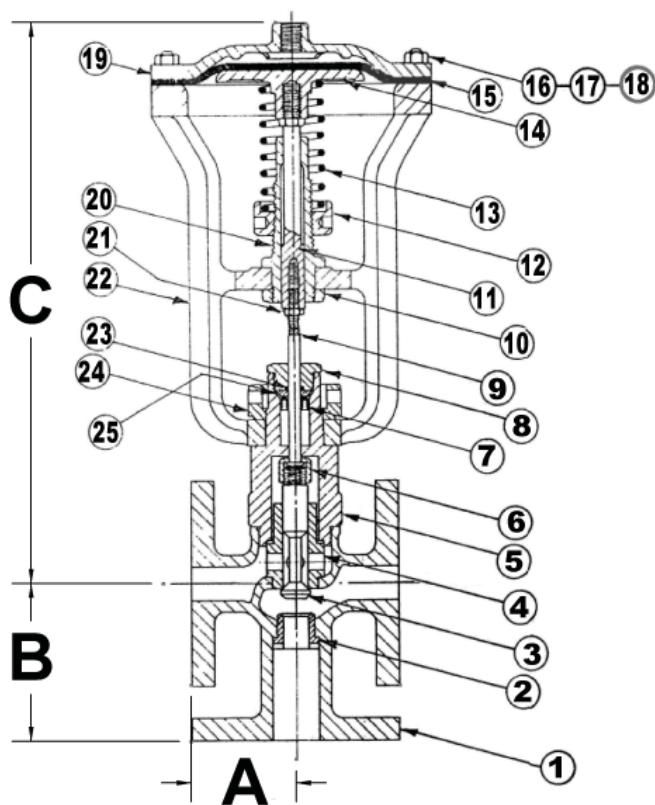
**C.I. Cast Iron**  
**C.S. Cast Steel**

## INDEX OF ILLUSTRATED VALVES & EQUIVALENTS IN VARIOUS MATERIALS

| DIAPHRAGM<br>ACTUATED VALVES | End Connections | Body & Bonnet | Screwed Bonnet | Bolted Bonnet | Seat Material | Disc                | Diaphragm | Normally Open<br>Direct acting | Normally Closed<br>Reverse acting | Three Way | Rating           |            |                               |
|------------------------------|-----------------|---------------|----------------|---------------|---------------|---------------------|-----------|--------------------------------|-----------------------------------|-----------|------------------|------------|-------------------------------|
|                              |                 |               |                |               |               |                     |           |                                |                                   |           | Working pressure | Max Temp   | Working pressure at max temp. |
|                              |                 |               |                |               |               |                     |           |                                |                                   |           | kPa<br>psi       | °C<br>°F   | kPa<br>psi                    |
| 8332 GUN METAL               | B.S.T<br>H      | GM            | ✓              |               | Integral      | Synthetic<br>Rubber | Neoprene  |                                | ✓                                 | ✓         | 1720<br>249      | 190<br>374 | 1720<br>249                   |
| 8333A GUN METAL              | ANSI<br>300     | GM            | ✓              |               | SS            | SS                  | Neoprene  |                                | ✓                                 | ✓         | 1720<br>249      | 190<br>374 | 1720<br>249                   |

| SIZE (MM)       | 8  | 10 | 15 | 20  | 25  |
|-----------------|----|----|----|-----|-----|
| DIMENSIONS (MM) |    |    |    |     |     |
| A               | 51 | 51 | 70 | 86  | 98  |
| B               | 89 | 95 | 95 | 108 | 114 |
| C               | 92 | 92 | 92 | 92  | 92  |

Air or water operated, screwed bonnet, renewable seat, disc and spindle, gland packing PTFE, "U" ring and viton "O" ring, ø150mm neoprene diaphragm, diaphragm housing aluminium. Valve Action: Normally closed, air or water to open, maximum pressure on diaphragm 1720 kPa



### PARTS LIST.

- |                 |                         |
|-----------------|-------------------------|
| 1. Body         | 14. Diaphragm Pad       |
| 2. Bottom Seat  | 15. Diaphragm           |
| 3. Valve        | 16. Stud                |
| 4. Valve Guide  | 17. Hex Nut             |
| 5. Bonnet       | 18. Washer              |
| 6. Coupling Nut | 19. Top Diaphragm Cover |
| 7. U-Ring       | 20. Rod Guide           |
| 8. Gland Nut    | 21. Hex Nut             |
| 9. Spindle      | 22. Spider              |
| 10. Locknut     | 23. O-Ring              |
| 11. Push Rod    | 24. Spider Clamp Nut    |
| 12. Spring Pad  | 25. Gland Washer        |
| 13. Spring      |                         |

**NOTE: MAX TEMPERATURE OF CONTROL LINE = 93°C**

**MAX TEMPERATURE OF MEDIUM AS PER CHART.**

Mack Valves Head Office  
30 Burgess Road  
BAYSWATER, VIC 3153  
Tel: (03) 9737 5200  
Fax: (03) 9720 1344  
Email: enquiries@mackvalves.com.au

Mack Valves NSW Office  
Unit 9/9-11 Abel Street  
Penrith NSW 2750  
Tel: (02) 4722 6033  
Fax: (02) 4722 6144  
Email: enquiries.nsw@mackvalves.com.au

Mack Valves SA Office  
204 Prospect Road  
Prospect SA 5082  
Tel: (08) 8269 6477  
Fax: (08) 8344 5934  
Email: enquiries.sa@mackvalves.com.au