

# SURPLUS VALVES



**G.M. Gun Metal**  
**S.S. Stainless Steel**  
**M.B. Manganese Bronze**

**C.I. Cast Iron**  
**C.S. Cast Steel**

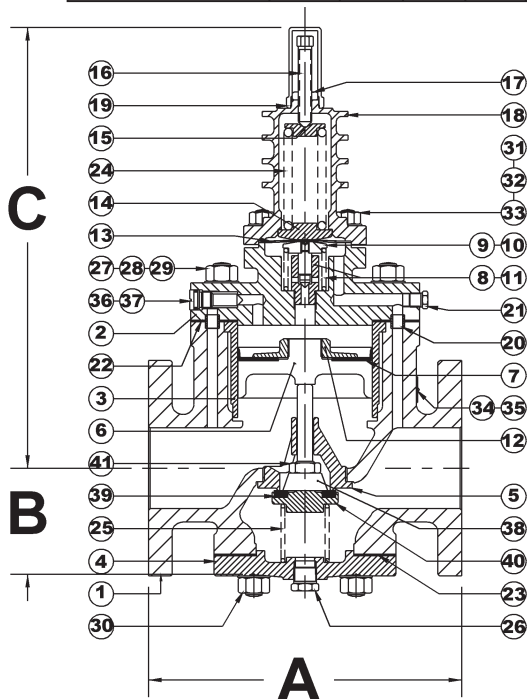
**N**  
**5**

## INDEX OF ILLUSTRATED VALVES & EQUIVALENTS IN VARIOUS MATERIALS

SURPLUS VALVES	End Connections	Inlet Flange	Outlet Flange	Body & Spring Cover	Screwed Cover	Bolted Cover	Seat	Disc	Spring	Rating		
										Working pressure	Max Temp	Working pressure at max temp.
										kPa psi	°C °F	kPa psi
7061 CAST IRON	B.S.T F			CI		✓	SS	SS	Steel	2100 304	190 374	1400 203
7082 CAST STEEL	B.S.T H			CS		✓	SS	SS	Steel	3500 507	190 374	3500 507
7083A CAST STEEL	ANSI 300			CS		✓	SS	SS	Steel	5110 741	190 374	4400 638
7091A STAINLESS STEEL	ANSI 150			SS		✓	SS	SS	SS	1900 275	190 374	1390 201
7092 STAINLESS STEEL	B.S.T H			SS		✓	SS	SS	SS	3500 507	190 374	3340 484

SIZE (MM)	15	20	25	32	40	50	65	80	100	125	150
DIMENSIONS (MM)											
A	152	152	152	-	-	-	-	298	384	441	441
B	60	60	60	-	-	-	-	119	162	202	202
C	240	240	240	-	-	-	-	418	448	559	559
Max Set Pressure	3000	3000	3000	2700	2700	2700	2000	2000	2000	1200	1200

Surplus Valve, pilot operated, diaphragm controlled cast iron body and bolted cover, bronze trim with stainless steel seats and disc. Flanged ends.



### PARTS LIST.

- |                            |                 |
|----------------------------|-----------------|
| 1. Body                    | 21. Plug        |
| 2. Cover                   | 22. Gasket      |
| 3. Liner                   | 23. Gasket      |
| 4. Bottom Plate            | 24. Spring      |
| 5. Seat                    | 25. spring      |
| 6. Plunger                 | 26. Plug        |
| 7. Cup Washer              | 27. Stud        |
| 8. Pilot Valve Guide       | 28. Nut         |
| 9. Direct Valve            | 29. Washer      |
| 10. Pilot Valve Head       | 30. Stud        |
| 11. Spring                 | 31. Stud        |
| 12. Spring                 | 32. Nut         |
| 13. Disc Nut               | 33. Washer      |
| 14. Diaphragm Pad          | 34. Nameplate   |
| 15. Spring Pad             | 35. Drive Pin   |
| 16. Adjusting Screw        | 36. Bleed Screw |
| 17. Lock Nut               | 37. O-Ring      |
| 18. Spring Cover           | 38. Disc Nut    |
| 19. Adjusting Screen Cover | 39. Disc        |
| 20. Ferrule                | 40. Valve       |
|                            | 41. Lock Nut    |

Mack Valves Head Office  
 30 Burgess Road  
 BAYSWATER, VIC 3153  
 Tel: (03) 9737 5200  
 Fax: (03) 9720 1344  
 Email: enquiries@mackvalves.com.au

Mack Valves NSW Office  
 Unit 9/9-11 Abel Street  
 Penrith NSW 2750  
 Tel: (02) 4722 6033  
 Fax: (02) 4722 6144  
 Email: enquiries.nsw@mackvalves.com.au

Mack Valves SA Office  
 204 Prospect Road  
 Prospect SA 5082  
 Tel: (08) 8269 6477  
 Fax: (08) 8344 5934  
 Email: enquiries.sa@mackvalves.com.au