

# SIGHT FLOW INDICATORS



G.M. Gun Metal  
S.S. Stainless Steel  
M.B. Manganese Bronze

C.I. Cast Iron  
C.S. Cast Steel

D  
7

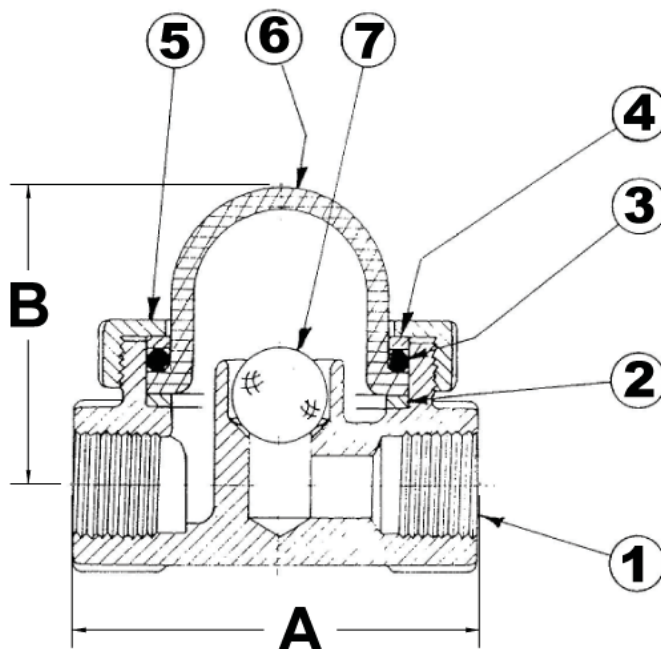
## INDEX OF ILLUSTRATED VALVES & EQUIVALENTS IN VARIOUS MATERIALS



SIGHT FLOW INDICATOR	End Connections	Body & Cover	Double Window	Single Window	Flap Indicator	Ball Indicator	Wier Type	Glass	Horizontal Flow	Vertical Flow Upwards	Rating		
											Working pressure	Max Temp	Working pressure at max temp.
											kPa psi	°C °F	kPa psi
9418 - GUN METAL	Screwed B.S.P.T Female	GM		✓		✓		Plastic	✓		1035 150	83 181	1035 150

SIZE (MM)	15	20	25
DIMENSIONS (MM)			
A	83	83	89
B	60	65	70

Sight Flow Indicator. Dome type, bronze body, plastic domed top, bronze retaining ring indicator plastic ball. Ends screwed B.S.P.T Female.



### PARTS LIST.

1. Body
2. Gasket
3. O-Ring
4. Washer
5. Nut
6. Dome
7. Ball