

SAFETY/RELIEF VALVES



G.M. Gun Metal
S.S. Stainless Steel
M.B. Manganese Bronze

C.I. Cast Iron
C.S. Cast Steel

E
13

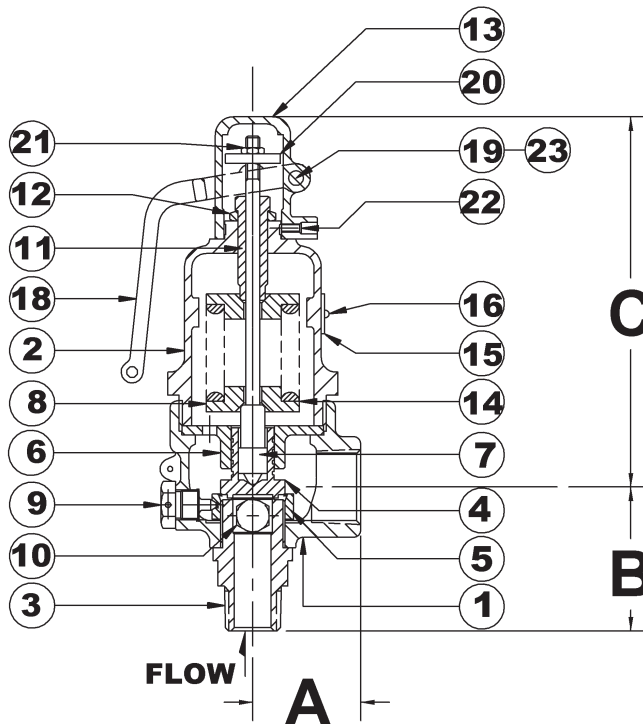
INDEX OF ILLUSTRATED VALVES & EQUIVALENTS IN VARIOUS MATERIALS



SAFETY VALVES	End Connections	Inlet	Outlet	Body & Spring Cover	Screwed Cover	Bolted Cover	Seat	Disc	Spindle	Spring	Rating	
											Pressure kPa psi	Temp °C
7648 STAINLESS STEEL	Screwed B.S.P.T Female	Male	Female	GM	15-40mm	50mm	SS	SS	SS	SS	15mm - 8620 kPa 1250 psi 20mm - 9930 kPa 1440 psi 25mm - 6441 kPa 934 psi	232 450
7698 STAINLESS STEEL	Screwed B.S.P.T Female	Male	Female	SS	15-40mm	50mm	SS	SS	SS	SS	32mm - 4100 kPa 594 psi 40mm - 5100 kPa 739 psi 50mm - 3900 kPa 565 psi	232 450

SIZE (MM)	15	20	25	32	40	50
DIMENSIONS (MM)						
A	38	48	57	57	73	95
B	59	64	86	91	108	130
C	141	161	218	218	273	325

Safety Valve, enclosed spring type, stainless steel body and spring cover, fitted with easing gear, lock up top, renewable stainless steel seat, stainless steel disc, stainless steel spring and blow down ring, bottom inlet, side discharge. 25mm BSP male inlet – 40mm BSP female outlet



Parts List.

- | | |
|---------------------|-----------------|
| 1. Body | 16. Drive Pin |
| 2. Spring Cover | 17. |
| 3. Seat | 18. Lever |
| 4. Valve | 19. Pin |
| 5. Blowdown Ring | 20. Lifting Pad |
| 6. Guide | 21. Hex. Nut |
| 7. Spindle | 22. Grub Screw |
| 8. Spring Pad | 23. Pin |
| 9. Lock Screw | |
| 10. Plug | |
| 11. Adjusting Screw | |
| 12. Locknut | |
| 13. Lockup Top | |
| 14. Spring | |
| 15. Nameplate | |

Mack Valves Head Office
30 Burgess Road
BAYSWATER, VIC 3153
Tel: (03) 9737 5200
Fax: (03) 9720 1344
Email: enquiries@mackvalves.com.au

Mack Valves NSW Office
Unit 9/9-11 Abel Street
Penrith NSW 2750
Tel: (02) 4722 6033
Fax: (02) 4722 6144
Email: enquiries.nsw@mackvalves.com.au

Mack Valves SA Office
204 Prospect Road
Prospect SA 5082
Tel: (08) 8269 6477
Fax: (08) 8344 5934
Email: enquiries.sa@mackvalves.com.au