



CRYOGENIC VALVES

G.M. Gun Metal
S.S. Stainless Steel
M.B. Manganese Bronze

**FOR GAS, CRYOGENIC
 & LNG SERVICE**

**0
18**

INDEX OF ILLUSTRATED VALVES & EQUIVALENTS IN VARIOUS MATERIALS

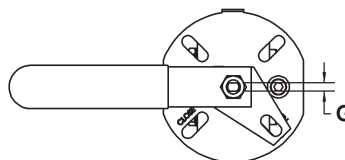
MANUFACTURED IN MATERIALS TO MEET INTERNATIONAL STANDARDS



CRYOGENIC 3 PCEE BALL VALVES	End Connections	Body	Ball	Spindle	Seats	Gland Seats	Lever Operated	Gear operated	Reduced Bore	Rating	
										Pressure kPa psi	Temp °C
5518CR GUN METAL	Screwed B.S.P	GM					✓		✓	6895 1000	-196°C to +65°C
5518ACR GUN METAL	Screwed N.P.T	GM					✓		✓	6895 1000	-196°C to +65°C

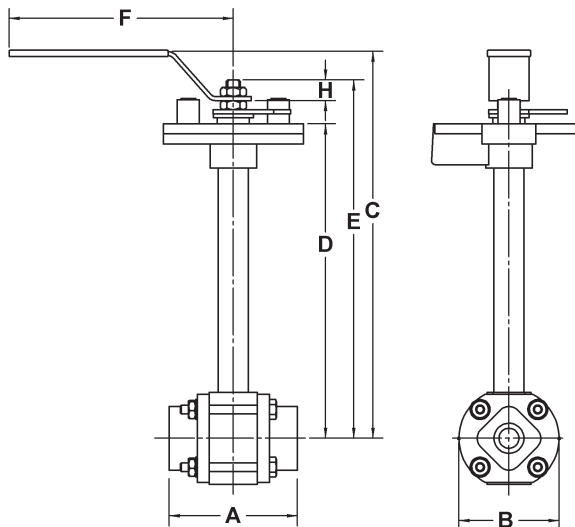
SIZE (MM)	15	20	25	40	50
DIMENSIONS (MM)					
PORT	12.70	12.70	20.57	31.75	38.10
A	79.76	79.76	95.25	120.90	128.52
B	63.50	63.50	82.55	104.65	110.74
C	253.49	253.49	262.38	323.09	327.91
D	202.69	202.69	208.03	261.11	265.94
E	226.57	226.57	237.49	294.64	299.47
F	139.70	139.70	139.70	191.77	191.77
G	9.65	9.65	12.70	16.00	16.00
H	5.84	5.84	7.05	8.64	8.64
WEIGHT (KGS)	2.2	2.2	3.5	6.4	7.4
Kvs - VALUE	10	10	29	74	115
CV - VALUE	12	12	33	85	133

3 piece ball valve. gun metal construction.
 Socket weld for pipe available.
 Suitable for oxygen service



Parts List.

- | | |
|--------------------|-----------------------|
| 1. Body | 14. Body Bolt |
| 2. Endplate | 15. Body Nut |
| 3. Ball | 16. Lock Washer |
| 4. Stem | 17. Collar |
| 5. Follower | 18. Set Screw |
| 7. Seat | 19. Seal Washer |
| 8. Stem Seal | 20. Belleville Washer |
| 9. Body Seal | |
| 10. Stop | |
| 11. Stem Nut | |
| 12. Handle | |
| 13. Thrust Bearing | |
| 14. Body Bolt | |



Mack Valves Head Office
 30 Burgess Road
 BAYSWATER, VIC 3153
 Tel: (03) 9737 5200
 Fax: (03) 9720 1344
 Email: enquiries@mackvalves.com.au

Mack Valves NSW Office
 Unit 9/9-11 Abel Street
 Penrith NSW 2750
 Tel: (02) 4722 6033
 Fax: (02) 4722 6144
 Email: enquiries.nsw@mackvalves.com.au

Mack Valves SA/WA Office
 204 Prospect Road
 Prospect SA 5082
 Tel: (08) 8269 6477
 Fax: (08) 8344 5934
 Email: enquiries.sa@mackvalves.com.au