



CRYOGENIC VALVES

G.M. Gun Metal
S.S. Stainless Steel
M.B. Manganese Bronze

FOR GAS
SERVICE

0
34

INDEX OF ILLUSTRATED VALVES & EQUIVALENTS IN VARIOUS MATERIALS

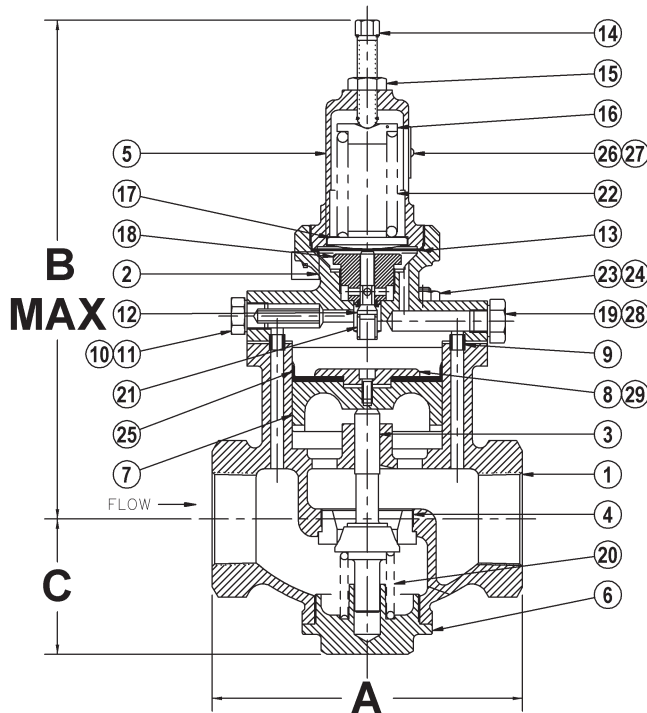
MANUFACTURED IN MATERIALS TO MEET INTERNATIONAL STANDARDS



CRYOGENIC PILOT OPERATED PRESSURE REDUCING VALVES	End Connections	Body & Cover	Main Seat material	Main Valve Material	Pilot Seat & Disc	Diaphragm	Spring	Rating	
								Pressure kPa psi	Temp °C
7948CR GUN METAL	Screwed B.S.P.T	GM	SS	GM	Brass & P.T.F.E	Nickel Silver	SS	3450 500	-20°C to 190°C
7948ACR GUN METAL	Screwed N.P.T	GM	SS	GM	Brass & P.T.F.E	Nickel Silver	SS	3450 500	-20°C to 190°C

SIZE (MM)	15	20	25	32	40	50
DIMENSIONS (MM)						
A	100	100	100	150	150	195
B	265	265	265	310	310	320
C	60	60	60	70	70	85
WEIGHT (KGS)	4.7	4.8	5.0	11.0	11.0	17.0
KVS - VALUE	1.3	2.7	5.2	8.1	10.7	19.4
CV - VALUE	1.5	3.1	6.0	9.4	12.4	22.4

Pilot operated, single port, bronze body and bolted cover, renewable stainless steel pilot valve disc, PTFE seat, stainless steel spring, nickel silver diaphragm, bronze piston fitted with PTFE rings, renewable bronze main valve, stainless steel seat. Ends screwed BSP Female (7948) NPT (7948A).



Parts List.

- | | |
|----------------------|-----------------------------|
| 1. Body | 16. Top Spring Pad |
| 2. Cover | 17. Diaphragm Pad |
| 3. Valve | 19. Gasket - FC-F |
| 4. Seat | 20. Return Spring |
| 5. Spring Cover | 21. Pilot Valve Spring |
| 6. Bottom Cap | 23. Hex Bolt |
| 7. Piston | 24. Hex Nut |
| 8. Piston Ring | 26. Name Plate |
| 10. Screen - 304 S/S | 27. Bush |
| 11. Plug | 28. Drive Pin |
| 12. Pilot Valve | 29. Hex Head Plug 1/4" BSPT |
| 13. Diaphragm | 30. Pilot Valve Assembly |
| 14. Adjusting Screw | |
| 15. Locknut | |

Mack Valves Head Office
 30 Burgess Road
 BAYSWATER, VIC 3153
 Tel: (03) 9737 5200
 Fax: (03) 9720 1344
 Email: enquiries@mackvalves.com.au

Mack Valves NSW Office
 Unit 9/9-11 Abel Street
 Penrith NSW 2750
 Tel: (02) 4722 6033
 Fax: (02) 4722 6144
 Email: enquiries.nsw@mackvalves.com.au

Mack Valves SA/WA Office
 204 Prospect Road
 Prospect SA 5082
 Tel: (08) 8269 6477
 Fax: (08) 8344 5934
 Email: enquiries.sa@mackvalves.com.au