



SOLENOID VALVES

S
6

G.M. Gun Metal
S.S. Stainless Steel
M.B. Manganese Bronze

C.I. Cast Iron
C.S. Cast Steel

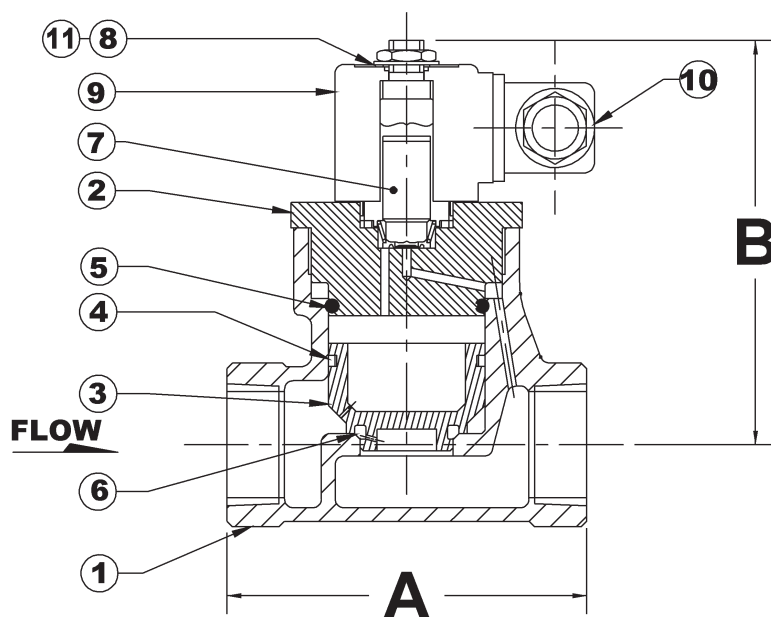
INDEX OF ILLUSTRATED VALVES & EQUIVALENTS IN VARIOUS MATERIALS



SOLENOID VALVES	End Connections	Inlet	Outlet	Body & Spring Cover	Screwed Cover	Bolted Cover	Seat	Disc	Spindle	Spring	Rating		
											Working pressure	Max Temp	Working pressure at max temp.
											kPa psi	°C °F	kPa psi
10138 GUN METAL	Screwed B.S.P.T Female			GM	15-40mm	50mm	SS	SS	SS or MB	SS	1725 250	93 200	1725 250
10198 STAINLESS STEEL	Screwed B.S.P.T Female			SS	15-40mm	50mm	SS	SS	SS or MB	SS	1725 250	93 200	1725 250

SIZE (MM)	15	20	25	32	40	50
DIMENSIONS (MM)						
A	70	86	98	140	140	178
B	88	100	110	126	136	146

Mack Solenoid Valve
Packless design, bronze body and cover, Action normally closed. Power to open.
Ends screwed B.S.P.T Female.



PARTS LIST.

1. Body
2. Adapter
3. Piston
4. Piston Ring
5. O-Ring
6. O-Ring
7. Operator
8. Nameplate
9. Nut
10. Coil
11. Washer

Mack Valves Head Office
30 Burgess Road
BAYSWATER, VIC 3153
Tel: (03) 9737 5200
Fax: (03) 9720 1344
Email: enquiries@mackvalves.com.au

Mack Valves NSW Office
Unit 9/9-11 Abel Street
Penrith NSW 2750
Tel: (02) 4722 6033
Fax: (02) 4722 6144
Email: enquiries.nsw@mackvalves.com.au

Mack Valves SA Office
204 Prospect Road
Prospect SA 5082
Tel: (08) 8269 6477
Fax: (08) 8344 5934
Email: enquiries.sa@mackvalves.com.au